



The Top Rated NextGen Series Gets Better! The NextGen III Series has 140+ Lumens per Watt, bigger VP driver and is DLC 5.1 Premium Rated! New pop open Compartment for fast access and optional easy twist in Motion Sensor that can be programmed by a remote.



P/N: RGL-NEXTGEN3-150JT3A1-abcdef

Note:

AST= Rugged Grade Lighting

NEXTGEN 3= Product series, LED Shoebox Light

150= Rating Power

J= LED manufacturer, Bridgelux

T3= Diffuser light angle type, TYPE III

A1= Version number

"a" can be any two letters to represent lamp colors;

"b" can be "AM", "DM", "YM", "A&D" or "FM" to represent Mounting Means;

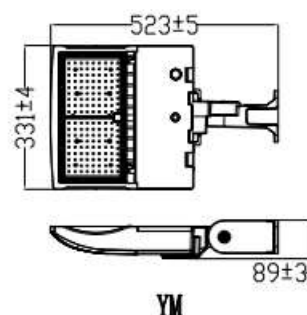
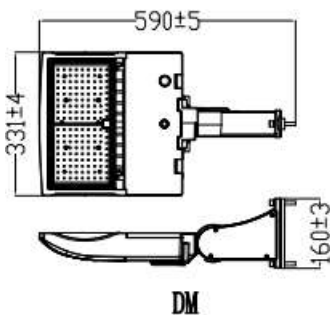
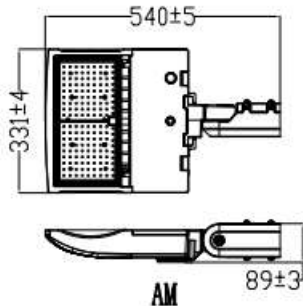
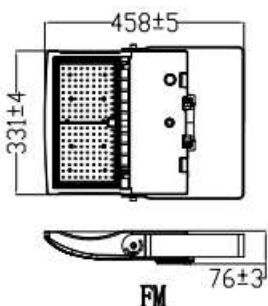
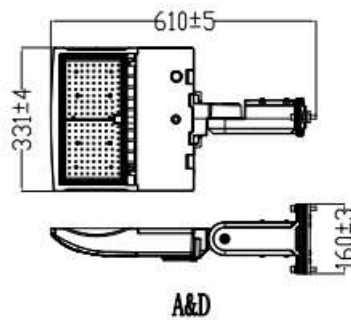
"c" can be "DMS1", "DMS2", "DPS1", "DPS2", "DP" for DC Sensor type or blank for no sensor provided;

"d" can be "10SP" or "20SP" for Surge-Protective Device type provided or blank for no Surge-Protective Device provided;

"e" can be any numbers to represent CCT;

"f" can be "3RP", "3NP", "5RP", "5NP", "7RP" or "7NP" for Photocontrol type provided or blank for no Photocontrol provided.

DIMENSIONS



ADVANTAGE

- UL cUL DLC-V5.1(Premium) certificate.
- Bridgelux Chip, high CRI.
- Input voltage 120-277VAC.
- Output constant current level can be adjusted through output cable with 0-10V.
- No UV or IR in the beam.
- Easy to install and operate.
- Energy saving, long lifespan.
- Light is soft and uniform, safe to eyes.
- Instant start, NO flickering, NO humming.
- Green and eco-friendly without mercury.

APPLICATION

- Outdoor basketball court, tennis court.
- Badminton court, the football field.
- The school playground, stadium.
- Community leisure entertainment plaza, road lamp etc.

SPECIFICATIONS

OPTICAL	Input Power (Tolerance : ±10%)	150W					
	Color Temperature	3000K	3500K	4000K	4500K	5000K	5700K
	Lumen (Tolerance : -10%)	19500L	20250LM	21000L	21000LM	21000LM	20250LM
	Efficacy (Tolerance : -3%)	130LM/	135LM/W	140LM/	140LM/	140LM/	135LM/
	CRI	>70					
	Color Consistency	<6 Steps (or <6 SDCM)					
	BUG	B3-U0-G4					
	Distribution Pattern	Type III					
	Beam Angle (50%) (Tolerance :	155*120 Degree					
ELECTRICAL	Input Voltage and Frequency	120-277Vac,50/60Hz					
	PF (Tolerance : -3%)	≥0.9					
	THD (Tolerance : +5%)	≤20%					
	Flicker Percent	<5%					
	Driver Brand	Rugged Grade Lighting					
	Driver Model	Sosen VP Driver with controls and 10KV surge					
	Driver Surge protection	L/N-PE: 10kV, L-N:6kV					
	Dimming	0-10V dimming standard					
	Optional Accessory	Photocontrol, Surge-protective Device, Motion Sensor					
MATERIALS	LED Brand	Bridgelux					
	LED Type	SMD3030 – 100,000+ hour LEDs					
	LED QTY	189PCS					
	Housing	Die-cast aluminum					
	Housing Color	Brown, Black, or Customized					
	EPA	1.32ft ²					
	Waterproof Rating	WET (IP65)					
OTHERS	Operating Temperature	Without Motion Sensor: -40°C TO 50°C; With Motion Sensor: -35°C TO					
	Storage Temperature	-40°C TO 80°C					
	Operating Humidity	20% - 90% RH					
	Storage Humidity	10% - 95% RH					
	Warranty	7 years warranty with unlimited operating hours					



Product ID: PLLKEJALNR33



RGL-NEXTGEN3-150JT3A1-abc[10SP;20SP]50f

Manufacturer: RuggedGrade

PRODUCT OVERVIEW		PRODUCT INFORMATION	
Model Number	RGL-NEXTGEN3-150JT3A1-abc[10SP;20SP]50f	Qualified Product List	Solid State Lighting
Product ID	PLLKEJALNR33	Technical Requirements Version ⓘ	5.1
QPL	Solid State Lighting	Product ID ⓘ	PLLKEJALNR33
Manufacturer	RuggedGrade	Manufacturer ⓘ	RuggedGrade
Brand Name	RuggedGrade	Brand	RuggedGrade
Primary Use	Outdoor Pole/Arm-Mounted Area and Roadway Luminaires	Model Number	RGL-NEXTGEN3-150JT3A1-abc[10SP;20SP]50f
DLC Family Code	EMWAFL	Parent ⓘ	No
Listing Status	Listed	Classification ⓘ	Premium
Date Qualified	2021-08-17	PRODUCT CATEGORIZATION VIEW DETAILS	
		PRODUCT CAPABILITIES VIEW DETAILS	
		REPORTED PHOTOMETRIC PERFORMANCE	
		Reported Backlight (TM-15 BUG) ⓘ	3
		Reported Uplight (TM-15 BUG) ⓘ	0
		Reported Glare (TM-15 BUG) ⓘ	4
		Reported Light Output ⓘ	20707.4 lm
		Reported Efficacy (AC) ⓘ	138.39 lm/W
		Reported CCT ⓘ	5000 K
		Reported CRI (Ra) ⓘ	70

LIGHT DISTRIBUTION TESTING PARAMETERS

Luminaire Property

Luminaire Manufacturer:
 Luminaire Category:
 Lamp Catalog:
 Number of Lamps:
 Luminous Length (mm):
 Luminous Height (mm):
 Current: 1.245 A
 Power Factor: 0.998

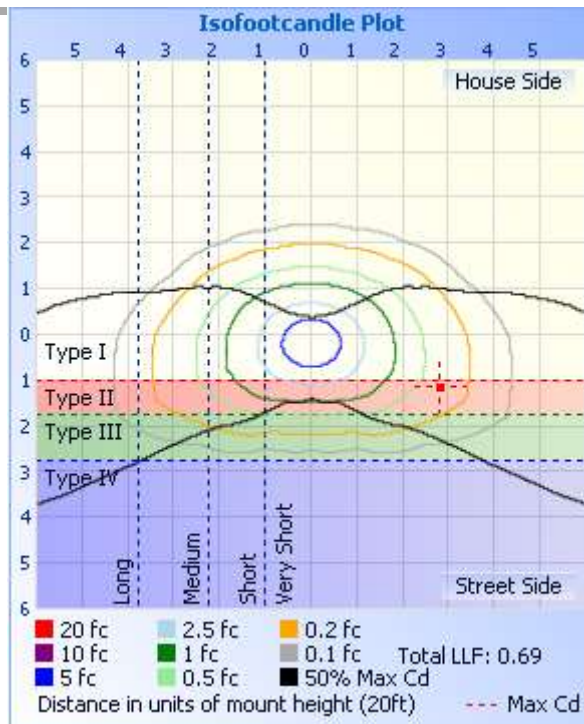
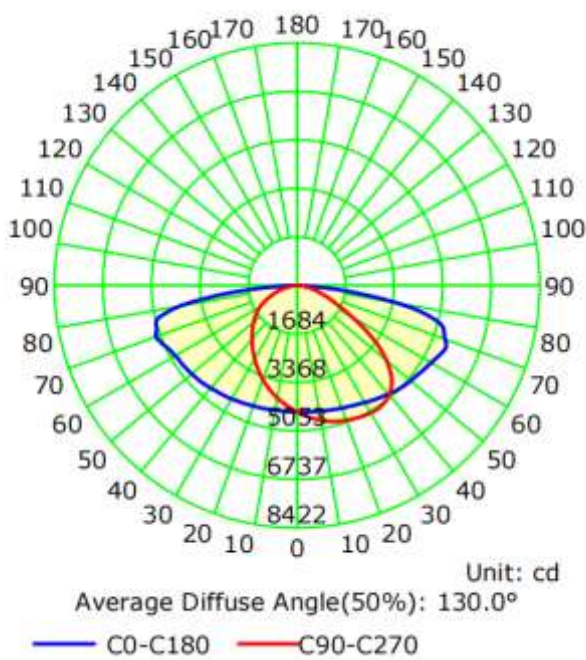
Luminaire Description:
 Lamp Description:
 Lumens per Lamp:
 Luminous Width (mm):
 Voltage: 120.0 V
 Power: 149.28 W

Photometric Results

IES Classification: Type IV
 Total Rated Lamp Lumens: 19746.7 lm
 Efficiency: 100%
 Upward Ratio: 0%
 C0r0 Intensity: 4393.15 cd
 Pos of Max. Intensity: H22.5 V69

Longitudinal Classification: Medium
 Measurement Flux: 19746.7 lm
 Downward Ratio: 100%
 Luminaire Efficacy Rating (LER): 132.33
 Max. Intensity: 6737.67 cd

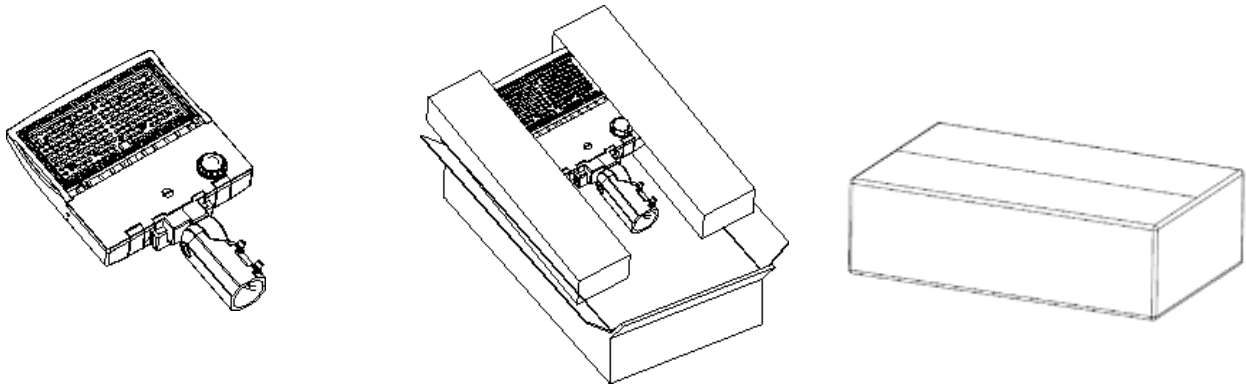
Luminous Intensity Distribution Curve



PACKAGE

Bracket Type	Carton Size	Qty / Carton	Net Weight / Carton	Gross Weight / Carton
AM	690*380*155MM	1 PC	5.97 KG	6.72KG
DM	690*380*155MM	1 PC	6.43KG	7.18KG
YM	690*380*155MM	1 PC	5.87KG	6.62KG
A&D	690*380*155MM	1 PC	6.83KG	7.58KG
FM	645*405*155MM	1 PC	5.49 KG	6.19KG

Tolerance of Carton Size: ±15 MM, Tolerance of Weight: ±10%.



NOTICE FOR USER

- Please turn off power before install or change assembly parts.
- The input voltage and lamps should be matched, after connecting the power line, Please make sure the wiring section is insulated.
- Non-professionals, must not install and disassemble the lamps.

TROUBLE SHOOTINGS

Issue	Check points
Light Flickers	Check all wiring for disconnections, shorts and burnt wiring and connections. Confirm steady input voltage to the light fixture, fluctuating input voltage will harm the LED driver and can lead to premature failure. Lights with photocells can have photocell tag from ambient light or light reflecting back at the sensor. Simply cover the photocell completely and see if flickering continues while the photocell is covered. Call Tech Support for help if none of the above solves the issue.
Light does not work at all.	Check all wiring for disconnections, shorts and burnt wiring and connections. Confirm steady input voltage to the light fixture, fluctuating input voltage will harm the LED driver and can lead to premature failure. If input voltage is not in the voltage range of the fixture, you will need to find the source of your input voltage issue. Call Tech Support for help if none of the above solves the issue.

For more technical information, install questions, troubleshooting help or warranty claims, we have a dedicated US Tech and Customer Support Team to help solve any issues you have and can be reached by email or phone. If you need help with any of our products, we are here for you so that you are never in the dark!



**BETTER LIGHTS.
BETTER SUPPORT.**

UL CERTIFIED LISTED

LEGENDARY RUGGEDGRADE QUALITY
LEGENDARY USA SUPPORT

US based phone and online customer support

7 YEAR WARRANTY