



Gorgeous Centauri II Series sets the tone for your entire business! Clean, Elegant and Powerful meets state of the art LED technology! DLC 5.1 Certified, Dark Sky Compliant and LED efficiency in a Modern Design.



P/N: RGL-CENTAURI2-150WSAT2A1-abcde

Note:

RGL = Rugged Grade Lighting

CENTAURI2 = Product series, LED Garden Light

150W = Rating Power

S= Driver manufacturer, SOSEN

A = LED manufacturer

T2 = Diffuser light angle type, 90°

A1 = Version number

a= Housing colors, BH = Black、WH=White、BR=Brown、 or Customized

b= P or blank represent Photocell or No Photocell

c= S or blank

represent Surge protector or No Surge protector

d= M or None

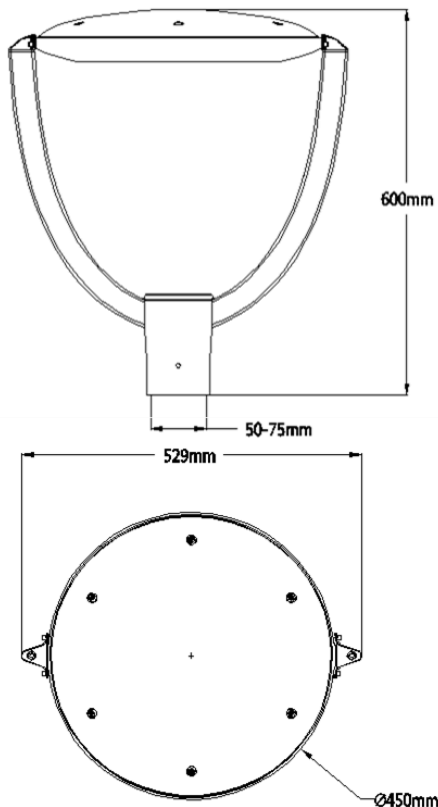
represent Motion sensor or No Motion sensor

e = CCT, 40=4000K, 45=4500K,

50=5000K, 57=5700K



DIMENSIONS



ADVANTAGE

- UL cUL DLC certificate.
- IP65 driver, input voltage 100-277VAC.
- No UV or IR in the beam.
- Easy to install and operate.
- Energy saving, long lifespan.
- Light is soft and uniform, safe to eyes.
- Instant start, NO flickering, NO humming.
- Green and eco-friendly without mercury.

APPLICATION

- City Slow Lane、Narrow Lane、
- Residential Area、 Plaza、
- Sightseeing Area、 Village Road and so on.



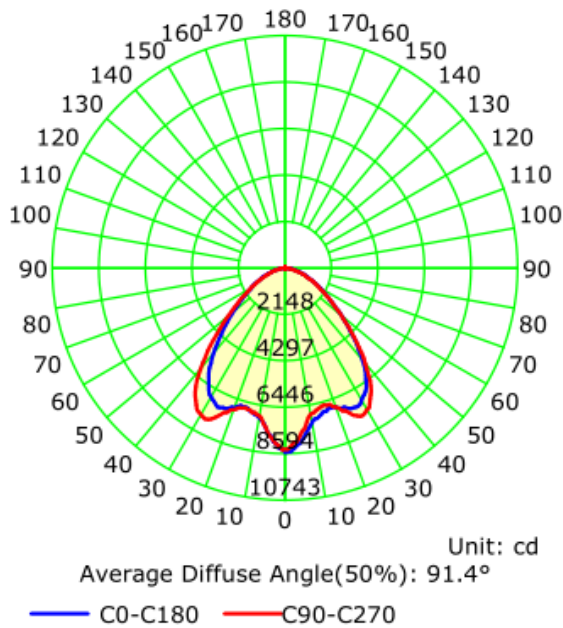
SPECIFICATIONS

OPTICAL	Input Power	150W
	Lumen	17700-19200LM
	Lumen Efficacy	118-128 LM/W
	Color Temperature	4000K,4500K, 5000K, 5700K
	CRI	>80
	Viewing Angle	90Degree
ELECTRICAL	Input Voltage	100-277VAC 50/60Hz
	PF	≥0.9
	THD	≤20%
	Driver Model	Rugged Grade Brand Driver
MATERIALS	LED Type	SMD2835 (0.5W)
	LED QTY	465 PCS
	Housing	Aluminum Alloy
	Housing Color	Black、 White、 Brown、 or Customized
	Cover	PC lens
	Waterproof Rating	WET (IP65)
OTHERS	Operating Temperature	-40℃ TO 45℃
	Operating Humidity	10%-90% RH
	Storage Temperature	-40℃ TO 85℃
	Storage Humidity	10%-95% RH
	Warranty Time	5 Years
	Dimmable	1-10V

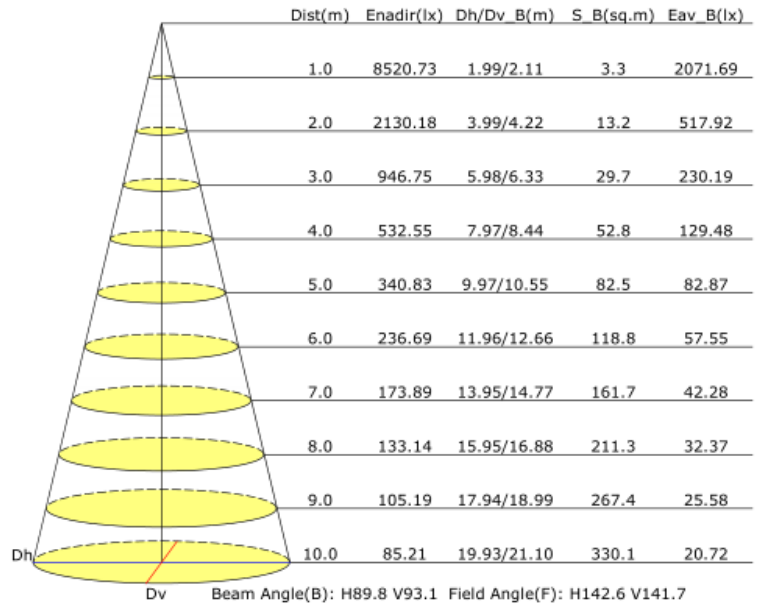


LIGHT DISTRIBUTION TESTING PARAMETERS

Luminous Intensity Distribution Curve



Illuminance at a Distance



Luminaire Property

Luminaire Manufacturer:

Voltage: 120.7 V

Power: 154.10 W

Current: 1.289 A

Power Factor: 0.990

Photometric Results

IES Classification: Type II

Total Rated Lamp Lumens: 18228.7 lm

Efficiency: 100%

Upward Ratio: 1%

Central Intensity: 8520.73 cd

Pos of Max. Intensity: H315 V26

Longitudinal Classification: Very Short

Measurement Flux: 18228.7 lm

Downward Ratio: 99%

Luminaire Efficacy Rating (LER): 118.34

Max. Intensity: 8594.75 cd



Model# RGL-CENTAURI2-150WSBT2GA1-a[MS;Blank][10SP;20SP;Blank]d50

Manufacturer: RuggedGrade
Brand: RuggedGrade
Technical Requirements Version: 5.1
Date Qualified: 01/05/2021
Product ID: PL00SB8T6W0S

Categorization

Main: Outdoor Luminaires
General Application: High Output
Primary Use: Outdoor Pole/Arm-Mounted Decorative Luminaires
System Type: AC

Classification: Premium
Is Parent Product: No
DLC Family Code: VVVZNG
Listing Status: Listed

[View Notes](#)

Reported Data | Control Features | Version History | Family Data

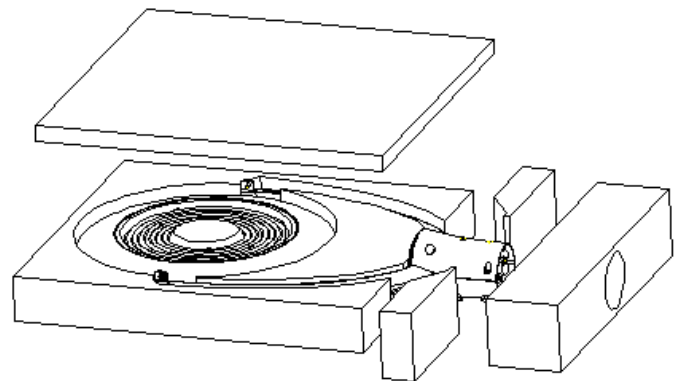
Light Output: **i** 20259.1 lm
Default Light Output: **i** 20259.1 lm
Wattage: **i** 151.32 W
Default Wattage: **i** 150 W
Voltage Range: **i** 100 - 277 V
Efficacy (AC): **i** 133.89 lm/W
Power Factor: **i** 0.9
CCT: **i** 5000 K
CRI (Ra): 80
R9: 1
IES Rf: 84
IES Rg: 96
IES Rcs,h1: -12 %
Total Harmonic Distortion: **i** 15 %





PACKAGE

	Size	Qty / Carton	Net Weight / Carton	Gross Weight / Carton
Outer box	397*297*250MM	1 PC	3.6KG	4.5KG



NOTICE FOR USER

- Please turn off power before installing or changing/assembly any parts.
- Fixture wiring is black for hot/load lead, white for neutral lead and green/yellow for ground lead. Follow electrical code for all connections and wiring in and to the fixture.
- Professional installation recommended.

TROUBLE SHOOTINGS

Issue	Check points
Light Flickers	Check all wiring for disconnections, shorts and burnt wiring and connections. Confirm steady input voltage to the light fixture, fluctuating input voltage will harm the LED driver and can lead to premature failure. Lights with photocells can have photocell tag from ambient light or light reflecting back at the sensor. Simply cover the photocell completely and see if flickering continues while the photocell is covered. Call Tech Support for help if none of the above solves the issue.
Light does not work at all.	Check all wiring for disconnections, shorts and burnt wiring and connections. Confirm steady input voltage to the light fixture, fluctuating input voltage will harm the LED driver and can lead to premature failure. If input voltage is not in the voltage range of the fixture, you will need to find the source of your input voltage issue. Call Tech Support for help if none of the above solves the issue.

For more technical information, install questions, troubleshooting help or warranty claims, we have a dedicated US Tech and Customer Support Team to help solve any issues you have and can be reached by email or phone. If you need help with any of our products, we are here for you so that you are never in the dark!



**BETTER LIGHTS.
BETTER SUPPORT.**

DLC CERTIFIED **UL LISTED**

LEGENDARY RUGGEDGRADE QUALITY
LEGENDARY USA SUPPORT

US based phone and online customer support

ROCK SOLID 5 YEARS WARRANTY

