



Hazardous Location lighting for Extreme Environments - Class I Div II Approved
- Up to 165 Lumens per Watt

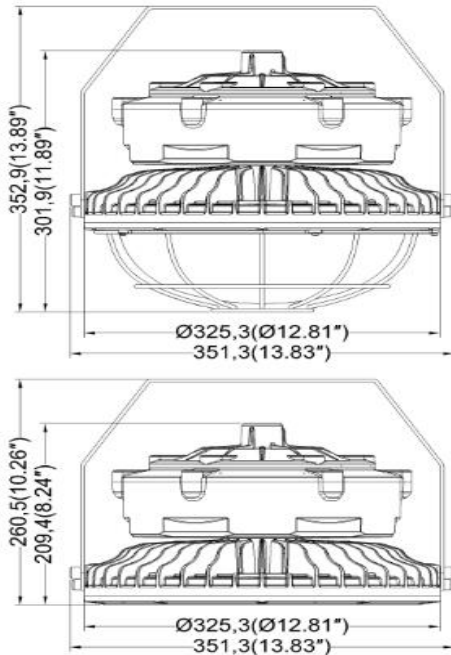
P/N: RGL-HERCULES-R-150W

Note:

1. The Letter **RGL** in P/N stands for Rugged Grade Lighting.
2. The Letter **HERCULES-R** in P/N stands for Product series, Hazardous Location LED Round Light.
3. The Letter **150W** in P/N stands for Rating Power.
4. Where "**X**" stands for LED manufactory, can be E.
5. Where "**Y**" stands for Diffuser type, can be "S6" to "S9", represents different Diffuser light angle and with flat clear glass, or "CG" represents flat clear glass only, "SS" represents clear striped spherical glass.
6. Where "**Z**" can be "S" or blank, represents "with Wire Guard" or "without Wire Guard" .
7. The Letter **D1** in P/N stands for input voltage 100-277VAC.
8. Where "**a**" can be any two letters to represent color of luminaire.
9. Where "**b**" can be "U" or blank, represents "with bracket" or "without bracket" .
10. Where "**c**" can be "NPT" for 3/4" NPT threaded pipe wiring.
11. Where "**d**" can be 30, 40, 50, 57, 65 to represent CCT.



DIMENSIONS



CERTIFICATIONS

- C1D2 Groups A,B,C,D.T4A
- UL 844.
- UL 1598.
- UL 8750.
- CSA C22.2 No.137.0.
- CSA C22.2 No.250.0.
- CSA C22.2 No.250.13.

ADVANTAGE

- UL cUL certificate.
- IP66 driver, input voltage 100-277VAC.
- No UV or IR in the beam.
- Easy to install and operate.
- Energy saving, long lifespan.
- Light is soft and uniform, safe to eyes.
- Instant start, NO humming.
- Green and eco-friendly without mercury.

APPLICATION

- Warehouse, factory and workshops;
- Petroleum and petrochemical area, and gas station;
- Power, railway, ship port, public security, fire protection and other fields.
- Living room, kitchen, bedroom, toilet



PRODUCT SPECIFICATIONS

Product name	Hercules Series LED Hazardous Location Light
Part No	RGL-HERCULES-R-150W
Dimension	351.3x325.3x352.9 mm or 351.3x325.3x260.5 mm 13.83" x12.81" x13.89" or 13.83" x12.81" x10.26"

TECHNICAL CHARACTERISTIC

Color temperature	3000 - 6500K			
CRI	>80			
Cover	clear glass	clear glass + wire guard	clear striped spherical glass	clear striped spherical glass + wire guard
Lumen	22500-24750LM	21750-24000LM	21000-23250LM	20250- 22500LM
Lumen Efficacy	155 LM/W (150-165 LM/W)	150 LM/W (145-160 LM/W)	145 LM/W (140-155 LM/W)	140 LM/W (135-150 LM/W)
Viewing Angle	110°	110°	120°	120°
Input Power	150W			
Input Voltage	100-277VAC 50/60Hz			
Driver Brand	China Brand Driver (L/N-PE: 10KV L-N: 6KV)			
PF	>0.9			
THD	≤20%			
Waterproof Rating	WET (IP66)			
Explosion-proof Mark	North America: Class 1 ,Division 2,Groups A,B,C,D, T4A;			

MATERIALS

LED Brand/ LED Type	Samsung / SMD 2835 (0.5W)
LED QTY	630 PCS
Housing	Aluminum Alloy
Housing color	Any Colors
Cover	Clear Glass or Clear Striped Spherical Glass

OTHERS

Operating Temperature	-40°C TO 55°C
Operating Humidity	10%-90% RH
Storage Temperature	-40°C TO 80°C
Storage Humidity	10%-95% RH
Application	Indoor/Outdoor
Safety Certification	UL/cUL
Warranty Time	5 Years



LIGHT DISTRIBUTION TESTING PARAMETERS

Luminaire Property

Luminaire Manufacturer:

Voltage: 120.3 V

Power: 153.19 W

Current: 1.277 A

Power Factor: 0.998

Photometric Results

IES Classification: Type II

Total Rated Lamp Lumens: 23834.0 lm

Efficiency: 100%

Upward Ratio: 1%

Central Intensity: 8343.99 cd

Pos of Max. Intensity: H180 V1

Longitudinal Classification: Very Short

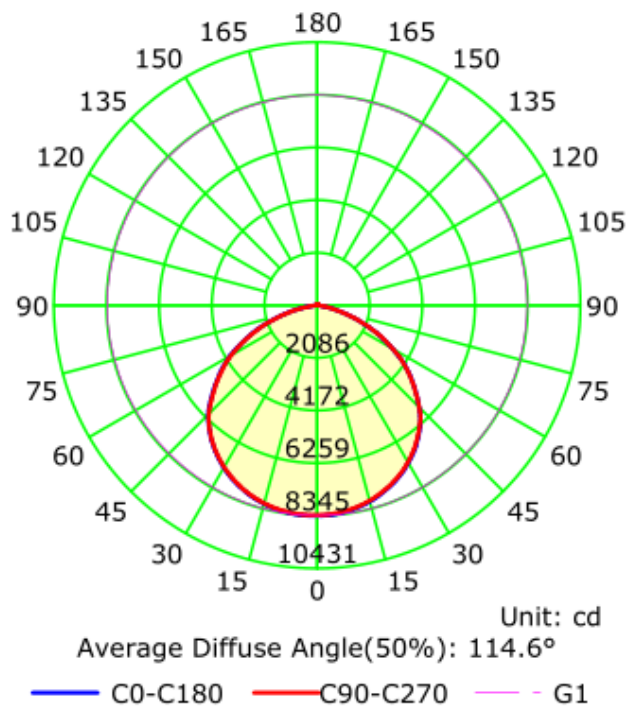
Measurement Flux: 23834 lm

Downward Ratio: 99%

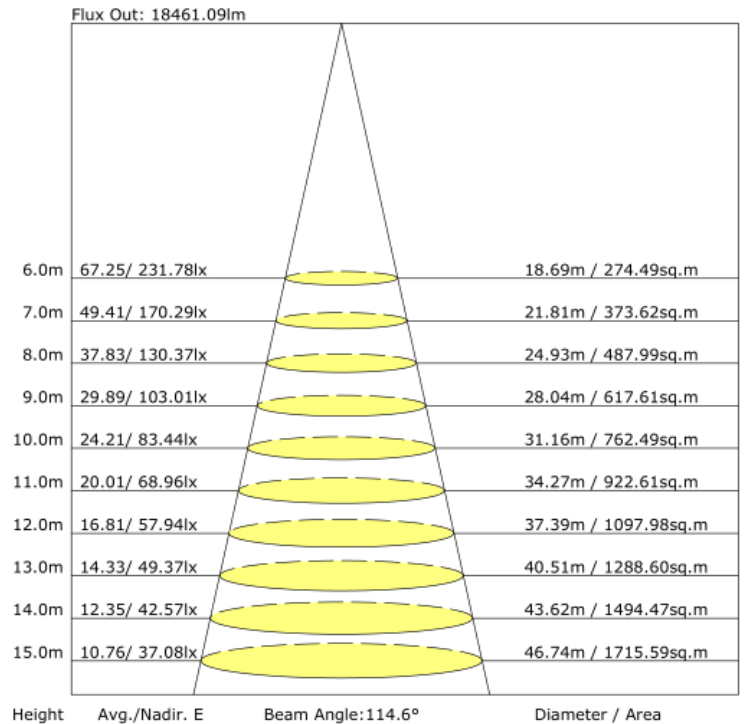
Luminaire Efficacy Rating (LER): 155.63

Max. Intensity: 8345.42 cd

Luminous Intensity Distribution Curve



The Average Illuminance Effective Figure



OPTIONAL ACCESSORIES



Clear striped spherical glass



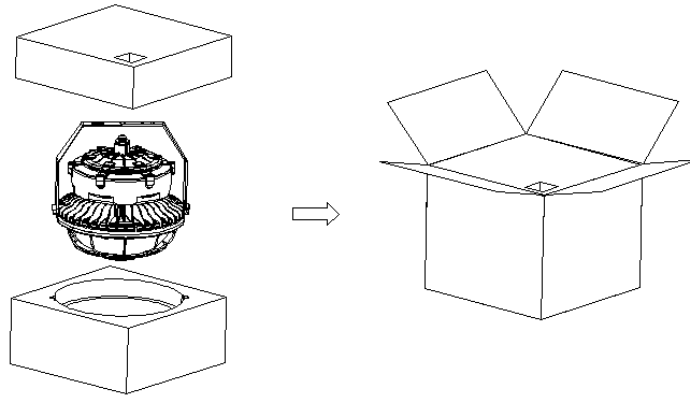
Wire guard





PACKAGE

		clear glass	clear glass + wire guard	clear striped spherical glass	clear striped spherical glass + wire guard
Lamps Net Weight		11.1kg	11.45kg	11.97kg	12.33kg
Outer box	size	400x400x345 mm		400x400x440 mm	
	Qty/ Carton	1PCS			
	Weight/Carton	12.35'kg	12.71kg	13.47kg	13.83kg



NOTICE FOR USER

- when installing the conduit, remove the compression nut on the screw thread of the lamp. Requirement of waterproof for fixture connection and requirement of conduit system connection should according to the local regulations.
- Please turn off power before install or change assembly parts.
- The input voltage and lamps should be matched, after connecting the power line,
- Please make sure the wiring section is insulated.
- No-professionals, must not install and disassemble the lamps.

TROUBLE SHOOTINGS

Issue	Check points
Light Flickers	Check all wiring for disconnections, shorts and burnt wiring and connections. Confirm steady input voltage to the light fixture, fluctuating input voltage will harm the LED driver and can lead to premature failure. Lights with photocells can have photocell tag from ambient light or light reflecting back at the sensor. Simply cover the photocell completely and see if flickering continues while the photocell is covered. Call Tech Support for help if none of the above solves the issue.
Light does not work at all.	Check all wiring for disconnections, shorts and burnt wiring and connections. Confirm steady input voltage to the light fixture, fluctuating input voltage will harm the LED driver and can lead to premature failure. If input voltage is not in the voltage range of the fixture, you will need to find the source of your input voltage issue. Call Tech Support for help if none of the above solves the issue.

For more technical information, install questions, troubleshooting help or warranty claims, we have a dedicated US Tech and Customer Support Team to help solve any issues you have and can be reached by email or phone. If you need help with any of our products, we are here for you so that you are never in the dark!



**BETTER LIGHTS.
BETTER SUPPORT.**

DLI **UL** **LEGENDARY RUGGEDGRADE QUALITY** **US based phone and online customer support** **ROCK SOLID 5 YEARS WARRANTY**