



Rugged Grade Lighting
E-mail: sales@ruggedgrade.com
www.ruggedgrade.com

P/N: RGL-DURADO03-120NXYZA1-abcdeghi

Note:

RGL= Rugged Grade Lighting;
DURADO03 = Product series, LED Semi-Cutoff Wall Pack;

120 = Rating Power;

N= Driver manufacturer;

X=LED manufacturer;

Y=Cover type;

Z=Color select,

A=InputVoltage;

A=100-277VAC

1 = Version number;

“a” can be any two letters to represent lamp colors;

“b” can be any two letters to represent motion sensor or blank, P=photocell, M=microwave sensor, R=PIR sensor,

PM=photocell+microwave sensor, PR=photocell+PIR sensor;

“c” can be “S” or blank for Surge-Protective Device provided or not;

“d”= Power select, can be “W” or blank ;

“e” can be any two digits to represent CCT;

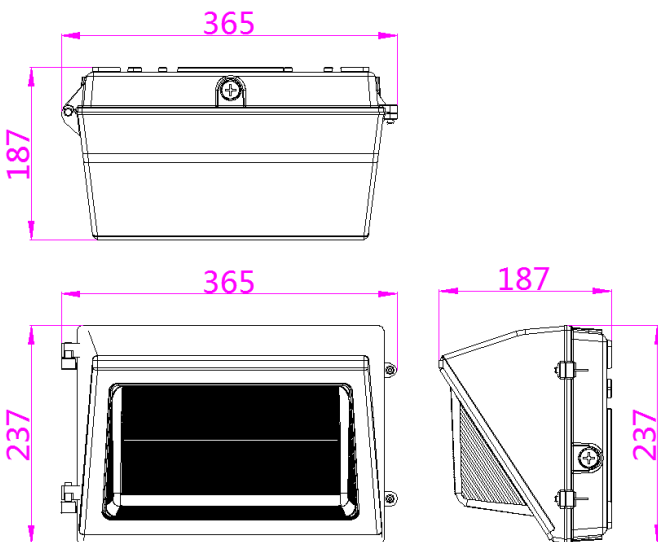
“g” can be “A” for DC sensor driver provided or blank;

“h” can be “G” for Wire Guard provided or blank;

“i” can be “L” for Light Shield provided or blank;.



DIMENSIONS



ADVANTAGE

- IP65 Internal driver, input voltage 120-277VAC;
- No UV or IR in the beam;
- Easy to install and operate;
- Energy saving, long lifespan;
- Light is soft and uniform, safe to eyes;
- Instant start, NO flickering, NO humming;
- Green and eco-friendly without mercury.

APPLICATION

- Entrance lighting, courtyard lighting;
- Industrial lighting, Outdoor landscape lighting;
- Building, The hotel;
- Wall lighting area and so on.

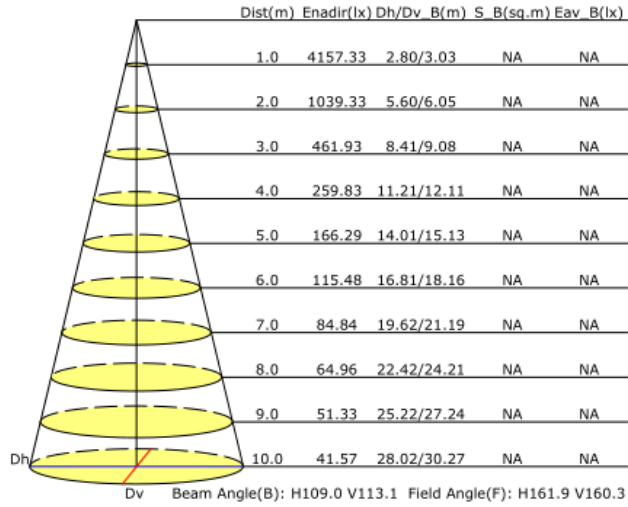
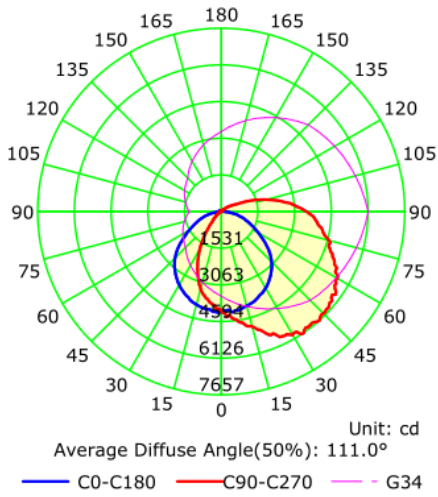
SPECIFICATIONS

OPTICAL	Input Power	120W
	Lumen	16200-17400LM
	Lumen Efficacy	135-145 LM/W
	Color Temperature	2700K-6500K
	CRI	>80
	Viewing Angle	110 Degree
ELECTRICAL	Input Voltage	120-277VAC, 50/60Hz
	PF	≥0.9
	THD	≤20%
	Driver Model	Rugged Grade Driver
MATERIALS	LED Type	SMD2835 (0.5W)
	LED QTY	450PCS/ 450*2 PCS
	Housing	Aluminum(ADC12) +Glass
	Housing Color	Brown,Black,White etc
	Cover	Stripe lens
	Waterproof Rating	WET (IP65)
	Optional Accessory	Surge protector / Motion Sensor /Power selection
OTHERS	Operating Temperature	-40℃ TO 50℃
	Operating Humidity	10%-90% RH
	Storage Temperature	-40℃ TO 80℃
	Storage Humidity	10%-95% RH
	Warranty Time	5 Years



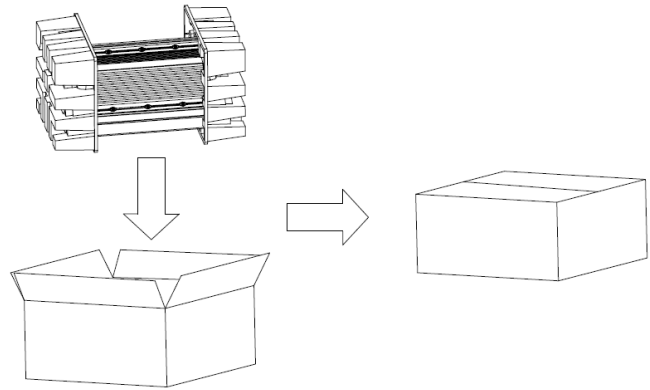
LIGHT DISTRIBUTION TESTING PARAMETERS

Luminous Intensity Distribution Curve



PACKAGE

	Size	Qty / Carton	Net Weight / Carton	Gross Weight / Carton
Outer box	397*297*250MM	1 PC	3.9KG	4.8KG



NOTICE FOR USER

- Please turn off power before install or change assembly parts.
- The input voltage and lamps should be matched, after connecting the power line, Please make sure the wiring section is insulated.
- No-professionals, must not install and disassemble the lamps.

TROUBLE SHOOTINGS

Troubles	Check points
Flickering of the light	Turn off the power and turn on again in 3 minutes. If same phenomena occur, then call agencies.
Out of working	Please check the connection.