

Aries III Series = Smaller, Smarter and Dimmable! Surge Protection Built in with the Best Driver on the Market! High Efficiency 145 Lumen to watt LEDs with over 135 in Fixture Performance - 360 Degrees of Lighting Bulb and Onboard Dimming for the Perfect Brightness



P/N: RGL-ARIES-3-120WXYA1-adcK

Note:

RGL = Rugged Grade Lighting

ARIES3= Product series, LED Corn Light

120W = Rating Power

X = LED manufacturer, B =LUMILEDS

Y = Cover type, X=C, for Clear cover;

X=F, for Frosted cover

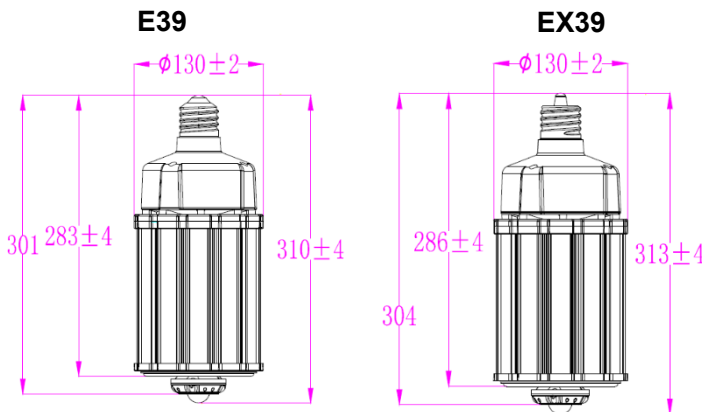
a= represent the lamp base type, can be "E" for E39, "EX" for EX39.

d= dimming type: "L" for Continuous dimming and "S" for Segmented dimmer

b=represent the Top cover material, "P" for plastic material, "M" for metal material,

cK= represents CCT, can be two digital. 30K=3000K, 35K=3500K,45K=4500K, 50K=5000K, 57K=5700K, 65K=6500K.

DIMENSIONS



NOTICE FOR USER

- ◆ Please turn off power before install or change assembly parts.
- ◆ The input voltage and lamps should be matched, after connecting the power line, Please make sure the wiring section is insulated.
- ◆ Make sure to remove or bypass the ballast in the fixtures before install the lamps.
- ◆ Suitable for damp locations. Do not use with dimmers.
- ◆ Suitable for use in enclosed luminaires, min. lamp compartment dimensions: 440*240*240MM.
- ◆ No-professionals, must not install and disassemble the lamps.

ADVANTAGE

- UL cUL certificate.
- E26 E39 EX39 lamp base.
- Can be with clear or frosted cover.
- Big heat sink, NO fan.
- Internal driver, input voltage AC100-277V. 0-10V dimming.
- Meet 6KV surge immunity level
- Two dimming options are available, continuous dimming or segmented dimmer
- Long lifespan and good heat dissipation.
- Easy installation.
- Fits many different fixtures to replace traditional lamps.

APPLICATION

- Widely used in supermarket, warehouse, garage, home, office, hotel, hospital, school, street, garden etc.



SPECIFICATIONS

OPTICAL	Input Power (Tolerance : $\pm 10\%$)	120W		
	Color Temperature (Color Tunable)	3000k	4000k	5000k
	Lumen (Tolerance : -10%)-In Luminaires	15102LM	13794LM	16432 LM
	Efficacy (Tolerance : -3%)-In Luminaires	123LM/W	137LM/W	134 LM/W
	CRI	>80		
	Color Consistency	7 Steps (or < 7 SDCM)		
	Diffuser Type	Clear		
	Beam Angle (50%) (Tolerance : $\pm 25\%$)	137Degree		
ELECTRICAL	Input Voltage and Frequency	100-277VAC 50/60Hz		
	PF (Tolerance : -3%)	≥ 0.9		
	THD (Tolerance : $+5\%$)	$\leq 20\%$		
	Flicker Percent	$< 5\%$		
	Driver Surge protection	L-N:6kV		
	Dimmable	YES		
	Equivalent	200W CFL, 400W MHL/HPS/HID		
MATERIALS	LED Brand	Lumileds		
	LED Type	SMD2835		
	LED QTY	494 pcs of 3000K + 494 pcs of 5000K		
	Housing	PC + Aluminum		
	Housing Color	Any colour		
	Waterproof Rating	IP64		
OTHERS	Operating Temperature	-40°C TO 50°C		
	Storage Temperature	-40°C TO 80°C		
	Operating Humidity	20%-70% RH		
	Storage Humidity	10%-75% RH		
	Warranty	5 years warranty with 24/7 operating hours lamp lifetime at 25°C and in installed fixture.		



DLC PREMIUM RATED
Tested at 130.27 Lumens to Watt and over 80 CRI

Model# RGL-ARIES-3-120WBC[N;M;P]A1-[E;EX]LP50K



Manufacturer: RuggedGrade
Brand: RuggedGrade
Technical Requirements Version: 5.1
Date Qualified: 04/14/2021
Product ID: PLY2GK16XFD2

Categorization

Main: Mogul (E39) Screw-Base Replacements for HID Lamps
General Application: High-Bay
Primary Use: Replacement Lamps for High-Bay Luminaires (Type B)
System Type: AC

Classification: Standard
Is Parent Product: No
DLC Family Code: EMWABQ
Listing Status: Listed

[View Notes](#)

Reported Data **i** Control Features Version History Family Data

Light Output: **i** 15857.1 lm
Default Light Output: **i** 15857.1 lm
Wattage: **i** 121.73 W
Default Wattage: **i** 121.73 W
Voltage Range: **i** 100 - 277 V
Efficacy (AC): **i** 130.27 lm/W
Power Factor: **i** 0.9
CCT: **i** 5000 K
CRI (Ra): 80
R9: 2
IES Rf: 84
IES Rg: 95
IES Rcs,h1: -12 %
Total Harmonic Distortion: **i** 15 %



LIGHT DISTRIBUTION TESTING PARAMETERS

Remark: The testing data comes directly from the product test. < PC Clear >

Luminaire Property

Luminaire Manufacturer:

Voltage: 119.7 V
Power: 120.90 W

Current: 1.018 A
Power Factor: 0.993

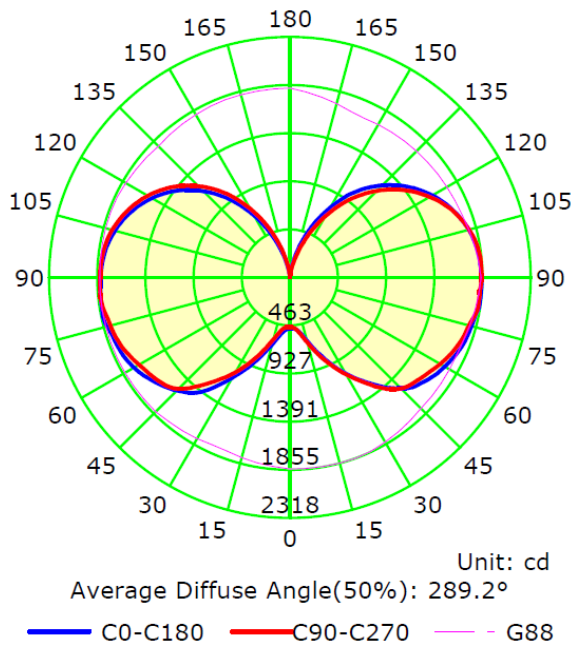
Photometric Results

CIE Class: General Diffuse
Measurement Flux: 18100.7 lm
Downward Ratio: 53%
Horizontal Diffuse Angle(50%): H289.5
Vertical Diffuse Angle(50%): V289.1
Luminaire Efficacy Rating (LER): 149.77
Max. Intensity: 1855.05 cd
S/MH(C0/C180): 3.25

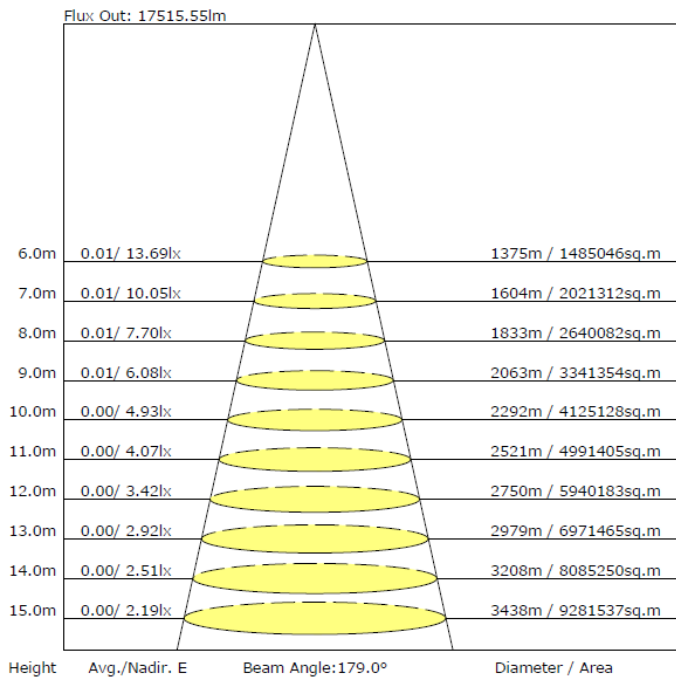
Total Rated Lamp Lumens: 18100.7 lm
Efficiency: 100%
Upward Ratio: 47%

Central Intensity: 492.68 cd
Pos of Max. Intensity: H22.5 V88
S/MH(C90/C270): 3.25

Luminous Intensity Distribution Curve

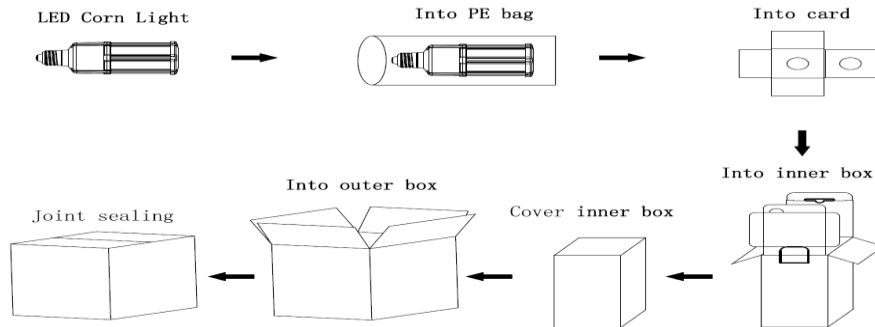


The Average Illuminance Effective Figure



PACKAGE

	Size	Qty / Carton	Net Weight / Carton	Gross Weight / Carton
Inner box	135*135*315MM	1 PC	1.55 KG	1.65 KG
Outer box	420*285*335MM	6 PCS	9.3KG	10.9 KG



NOTICE FOR USER

- Please turn off power before install or change assembly parts.
- The input voltage and lamps should be matched, after connecting the power line, Please make sure the wiring section is insulated.
- No-professionals, must not install and disassemble the lamps.

TROUBLE SHOOTINGS

Issue	Check points
Light Flickers	Check all wiring for disconnections, shorts and burnt wiring and connections. Confirm steady input voltage to the light fixture, fluctuating input voltage will harm the LED driver and can lead to premature failure. Lights with photocells can have photocell tag from ambient light or light reflecting back at the sensor. Simply cover the photocell completely and see if flickering continues while the photocell is covered. Call Tech Support for help if none of the above solves the issue.
Light does not work at all.	Check all wiring for disconnections, shorts and burnt wiring and connections. Confirm steady input voltage to the light fixture, fluctuating input voltage will harm the LED driver and can lead to premature failure. If input voltage is not in the voltage range of the fixture, you will need to find the source of your input voltage issue. Call Tech Support for help if none of the above solves the issue.

For more technical information, install questions, troubleshooting help or warranty claims, we have a dedicated US Tech and Customer Support Team to help solve any issues you have and can be reached by email or phone. If you need help with any of our products, we are here for you so that you are never in the dark!



**BETTER LIGHTS.
BETTER SUPPORT.**

DLC CERTIFIED **UL LISTED**

LEGENDARY RUGGEDGRADE QUALITY
LEGENDARY USA SUPPORT

US based phone and online customer support

ROCK SOLID 5 YEARS WARRANTY

