

## LED Corn Light Bulb

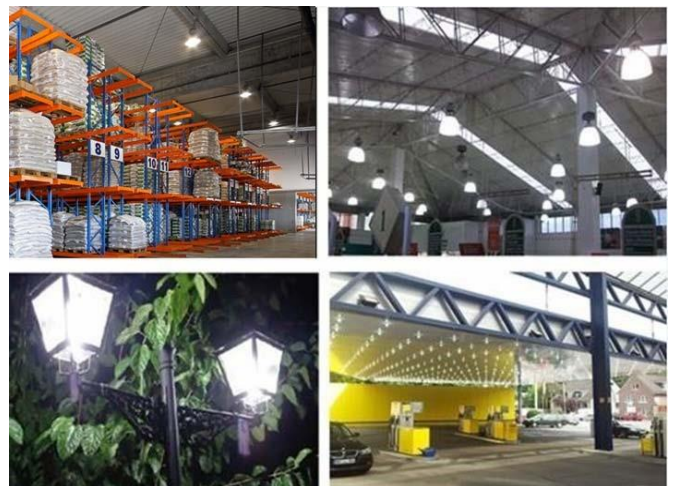
### RG-CLW05-100WX1Y

Note: 1. The Letter X in P/N stands for Cover type, "C" for Clear cover, "F" for Frosted cover.

2. The Letter Y in P/N stands for Lamp base type, "E" for E39 lamp base, "-EX" for EX39 lamp base.

## Advantage

- UL、CUL certificate. DLC Listed
- E39、EX39 lamp base.
- 360 degree lighting.
- IP64 Waterproof Rating.
- Big heat sink, NO fans.
- Automatically Power-Reducing Function: Power reduces gradually when driver's temperature reaches 50°C. When the heat sink of led reaches 90°C, there will no power reduction any more. And power will reduce to 60% of the origin.
- Internal driver, input voltage AC100-277V.
- Sealant pouring for whole driver and lamp plastic housing.
- New style and high efficient wide-range input. Long lifespan and good heat dissipation.
- Direct replacement for Metal Halide or HPS(ballast removal required), easy Installation, Fits many different fixtures



## Application

Widely used in high bay, shoeboxes, parking lots, warehouse, garage, offices, wall packs etc, etc

<b>PRODUCT SPECIFICATIONS</b>		
Product name	LED Corn Light	
Light Type	33-205 (5000K) 33-211 (4000K) 33-217 (3000K)	
Part No	RG-CLW05-100WC1-E	RG-CLW05-100WC1-EX
Lamp Base	E39	EX39
Dimension	Φ146*251 MM	Φ146*254 MM
<b>Technical Characteristic</b>		
Cover	Clear	
Color temperature	3000K、 3500K、 4000K、 4500K、 5000K、 5700K	
CRI	> 80	
Lumen-In Luminaires	10500-13200 LM	
Lumen Efficacy-In Luminaires	100-120 LM/W	
Input Power	100 W	
Viewing Angle	360 degree	
Input Voltage	AC100-277V 50/60Hz	
PF	>0.9	
Equivalent	200W CFL, 250W MHL/HPS/HID	
Waterproof Rating	IP64	
<b>MATERIALS</b>		
LED Type	SMD2835	
LED QTY	736 PCS	
Housing	PC+AL	
Housing color	White+Grey	
<b>OTHERS</b>		
Operating Temperature	-20°C TO 45°C	
Operating Humidity	20%-70% RH	
Storage Temperature	-30°C TO 80°C	
Storage Humidity	10%-75% RH	
Application	Indoor/Outdoor	
Safety Certification	UL、 CUL、 DLC	
Warranty Time	5 Years	



DLC Rated

**Model#** RG-CLW05-100WC1-[E;EX]-50K

**Manufacturer:** RuggedGrade  
**Brand:** RuggedGrade  
**Technical Requirements Version:** 4.4  
**Date Qualified:** 09/19/2017  
**Product ID:** PLNF4JBHN6Z4

**Categorization**

**Main:** Mogul (E39) Screw-Base Replacements for HID Lamps  
**General Application:** High Output  
**Primary Use:** Replacement Lamps for Outdoor Pole/Arm-mounted Decorative Luminaires (Type B)  
**System Type:** AC

**Classification:** standard  
**Is Parent Product:** No  
**DLC Family Code:** CCCEY2  
**Listing Status:** Listed

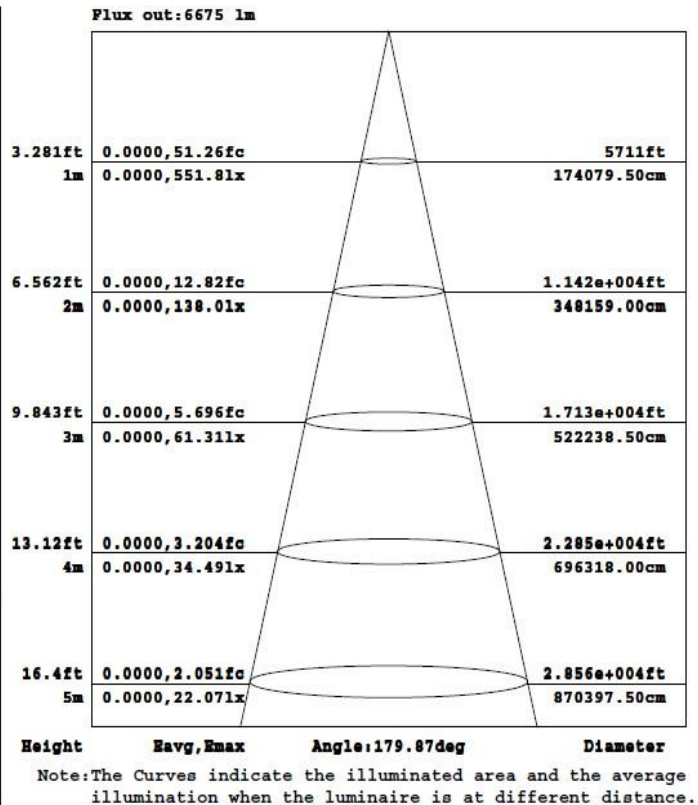
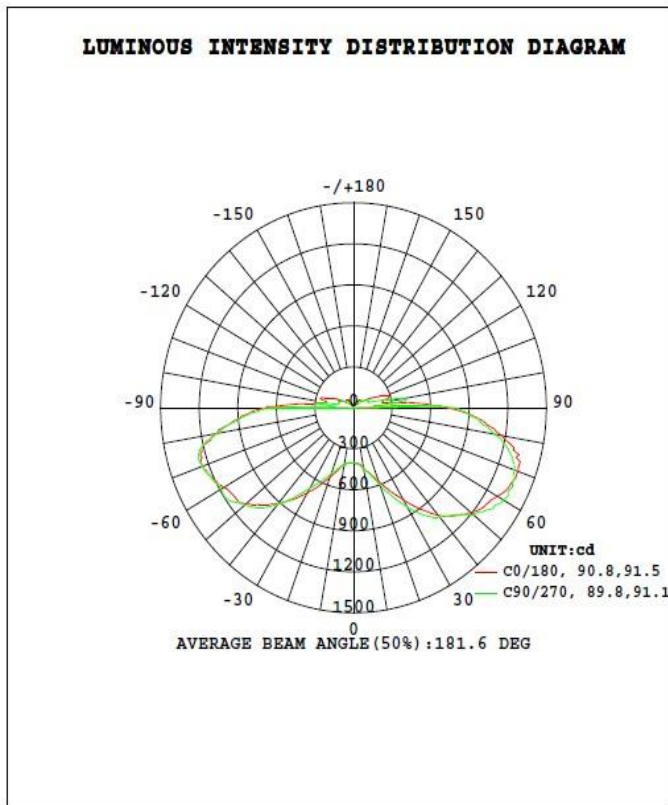
Reported Data	Zonal Lumens	Spacing Criteria	Product Features	Version History	Family Data
---------------	--------------	------------------	------------------	-----------------	-------------

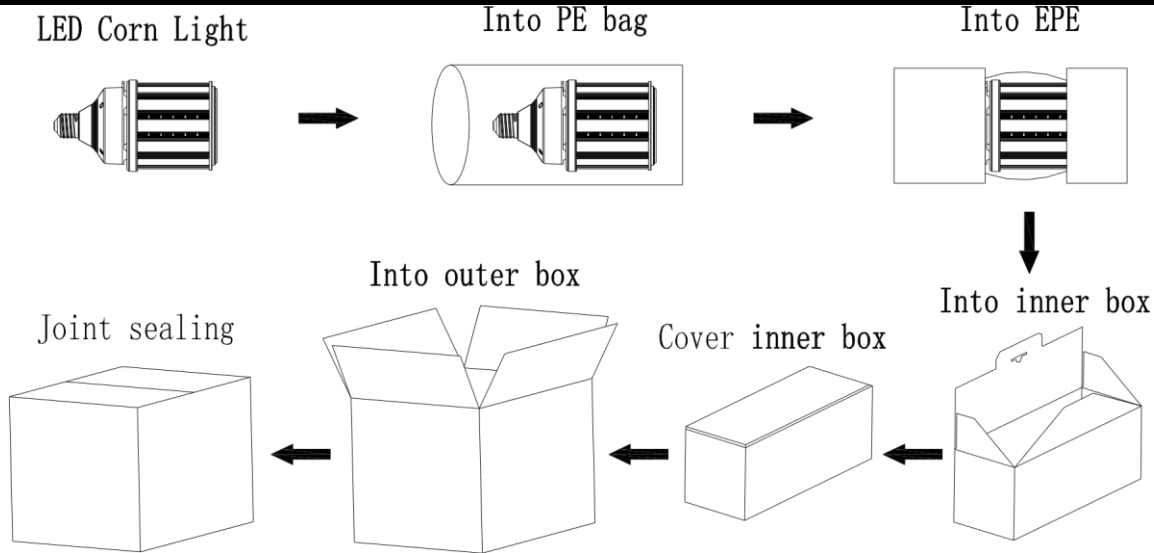
**Light Output:** 10055 lm  
**Wattage:** 98.39 W  
**Efficacy (AC):** 102.2 lm/W  
**Power Factor:** 0.9  
**CCT:** 5000 K  
**CRI:** 83.6  
**Total Harmonic Distortion:** 11.63 %



Remark: The testing data comes directly from the product test.

DATA OF LAMP		PHOTOMETRIC DATA				Eff: 98.57 lm/W
MODEL		I <sub>max</sub> (cd)	1980	S/MH(C0/180)		3.05
NOMINAL POWER (W)	100	LOR (%)	100.0	S/MH(C90/270)		3.05
RATED VOLTAGE (V)	120	TOTAL FLUX (lm)	9670.7	η UP, DN(C0-180)		6.2, 43.8
NOMINAL FLUX (lm)	9670.71	CIE CLASS	SEMI-D.	η UP, DN(C180-360)		6.4, 43.6
LAMPS INSIDE	1	η up (%)	12.6	CIBSE SHR NOM		2.00
TEST VOLTAGE (V)	120.0	η down (%)	87.4	CIBSE SHR MAX		0.00



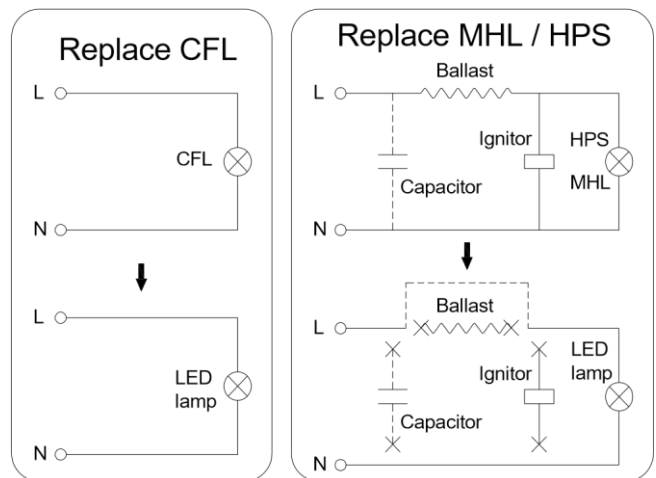


	Size	Qty/ Carton	Net Weight/ Carton	Gross Weight/ Carton
Inner box	290*165*165 MM	1 PC	1.46 KG	1.70 KG
Outer box	510*345*310 MM	6 PCS	8.8 KG	11.2 KG

### Notice For User

- Please turn off power before install or change assembly parts.
- The input voltage and lamps should be matched, afterconnecting the power line, please make sure the wiring section is insulated.
- Make sure to remove or bypass the ballast in the fixtures before install the lamps.
- Suitable for damp locations. Do not use with dimmers.
- Suitable for use in enclosed luminaires, min. lamp compartment dimensions: 450\*280\*280MM.
- No-professionals, must not install and disassemble the lamps.

### Trouble Shootings



Troubles	Check points
Flickering of the lamps	Turn off the power and turn on again in 3 minutes. If same phenomena occur, then call agencies.
Out of working	Please check the connection.