

STADIUM PRO SERIES – TECHNICAL DATA

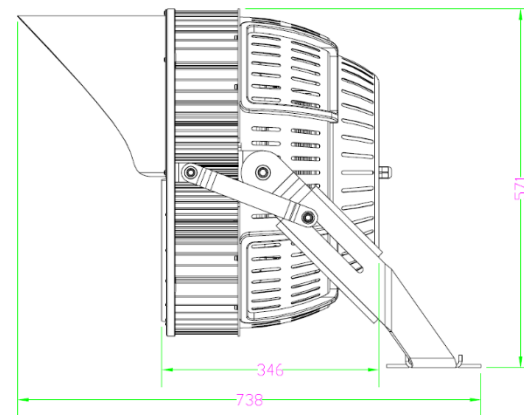
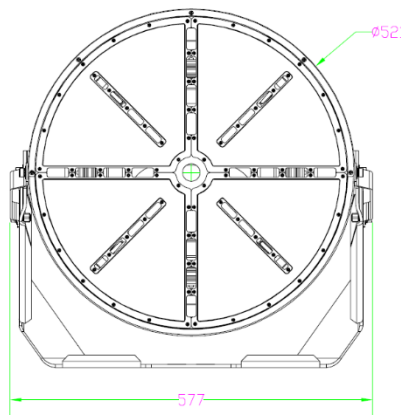


LED SPORTS LIGHTING

PART NUMBER: RG-STADIUM-I-1000W

Advantage:

- UL cUL certificate
- Input voltage 100-277Vac/200-480Vac
- No UV or IR in the beam
- Easy to install and operate
- Energy saving, long lifespan
- Instant start, NO flickering, NO humming
- Green and eco-friendly without mercury
- Output constant current level can be adjusted through output cable with 1-10V



Application:

- ◆ Stadium, Arenas, Soccer, Football, Baseball Etc
- ◆ Shipyard, Airport, Marinas, Freeways
- ◆ High mast lighting

DLC Premium Coming June 2019



StadiumPro LED Stadium Lighting

Removeable shield

5 YEAR WARRANTY

Aluminum housing with a high-tech heat sink to ensure a long LED life and safety.

0-10v Dimmable for versatility and increased energy efficiency

Ultra-reliable Meanwell Driver







400 watt – 1200 watt options available



Beam angles from 12-60 degrees available



100,000+hr long life OSRAM LED Modules



IP65 Outdoor Waterproof Rated

Need help with your lighting layout, contact us! Photometrics studies available.

 US CUSTOMER SUPPORT



STADIUM PRO SERIES – TECHNICAL DATA

Product Specifications

Product name	LED Sport Light
Part No	RG-Stadium-I-100WMBT3B1 SKU: 45-166
Dimension	738*577*571 mm

Technical Characteristic

Color temperature	5000K (avail 2700-6500k)
CRI	>72
Lumen	125,000-158,000LM
Input Power	1000W
Surge Protection	10KV Surge Device
Lumen Efficacy	130-155 LM/W
Beam Angle(50%)	12, 15, 30, 45°
Field Angle(10%)	At 12 Degree - 29°(NEMA : 2/ NEMA : 3)
Input Voltage	100-277Vac 50/60Hz (200-480vac available)
Driver Brand	Mean Well HLG-240H-48B (quantity 4)
PF	>0.9
Waterproof Rating	WET(IP65)
EPA	3.14ft ²

Materials

LED Brand	LUMILEDS
LED Type	SMD 3737
LED QTY	448 PCS
Housing	Aluminum
Housing color	Black (Brown/white/Customized avail)
Cover	LENS
Operating Temperature	-40°C TO 45°C
Operating Humidity	10% RH -90% RH
Storage Temperature	-40°C TO 80°C
Storage Humidity	10% RH -90% RH
Application	Outdoor
Safety Certification	UL cUL
Warranty Time	5 Years



Don't waste your money on fixtures with subpar

Rugged Grade Stadium Lights Quality Components for a Long Life



Rugged Grade only uses premium grade components like Meanwell Drivers and Osram LED Modules.



Rated for 100,000+ hours



Mean Well HLG Series Driver:

- ✓ The best driver manufacturer on the market
- ✓ Most critical component of any LED fixture is the driver, low quality drivers lead to premature failure and nobody wants to have a failure 80 feet up on a pole.
- ✓ 0-10v Dimmable for added efficiency



Opto Semiconductors

Osram LEDs

- ✓ Formerly Sylvania, Osram is a name you can trust in lighting
- ✓ High Quality LEDs for Ultra-Efficient LEDs
- ✓ 140 lumens per watt

US CUSTOMER SUPPORT



Light Distribution Testing Parameters

Luminaire Property

Luminaire Manufacturer:
 Voltage: 120.9 V
 Power: 1030.42 W

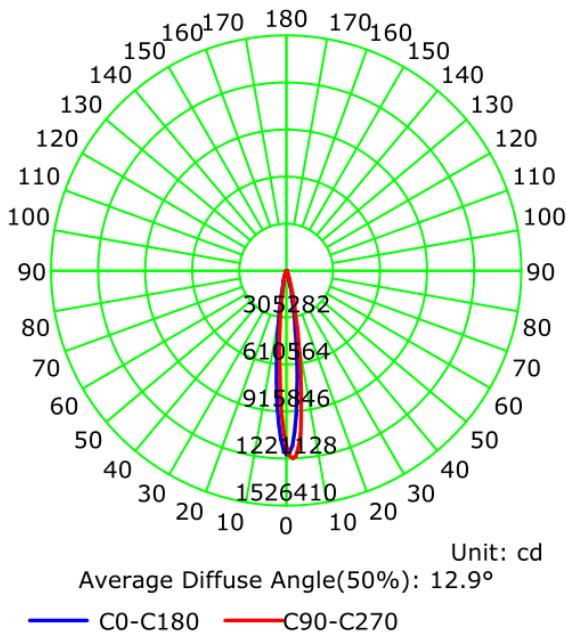
Current: 8.549 A
 Power Factor: 0.997

Photometric Results

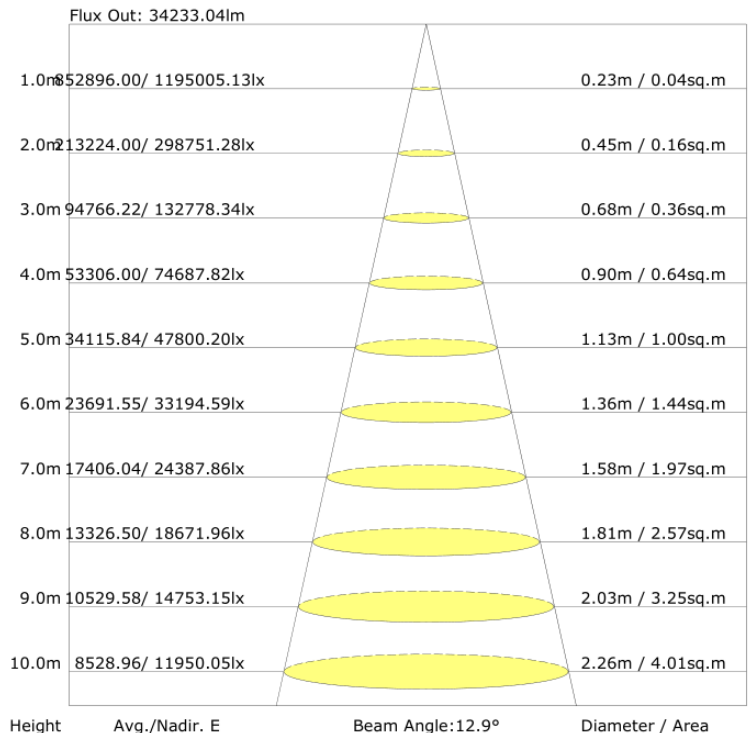
IES Classification: Type I
 Total Rated Lamp Lumens: 133642.8 lm
 Efficiency: 100%
 Upward Ratio: 0%
 Central Intensity: 1274337.76 cd
 Pos of Max. Intensity: H0 V0

Longitudinal Classification: Very Short
 Measurement Flux: 133643 lm
 Downward Ratio: 100%
 Luminaire Efficacy Rating (LER): 129.71
 Max. Intensity: 1274337.76 cd

Luminous Intensity Distribution Curve



The Average Illuminance Effective Figure



Package

Lamp Net Weight: 32.8 KG / PC

	Size	Qty / Carton	Gross Weight / Carton
Outer box	680*630*585 mm	1 PC	37.6 KG



Notice For User

- ◆ Please turn off power before install or change assembly parts.
- ◆ The input voltage and lamps should be matched, after connecting the power line, Please make sure the wiring section is insulated.
- ◆ No-professionals, must not install and disassemble the lamps.

Trouble Shootings

Troubles	Check points
Flickering of the light	Turn off the power and turn on again in 3 minutes. If same phenomena occur, then call agencies.
Out of working	Please check the connection.