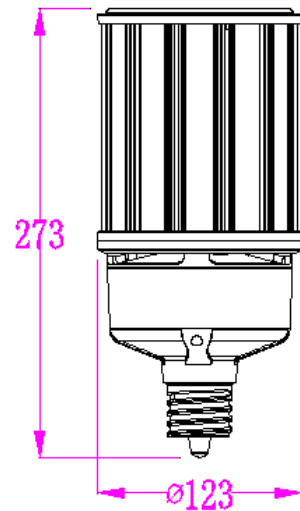
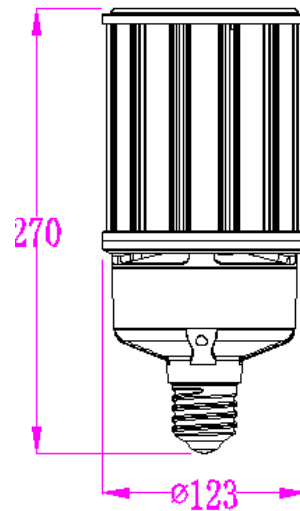




E39

EX39



LED Corn Light Bulb

RGL-ARIES-S-CLW-VII-100W xxxx-xx

Advantage

- UL, cUL certificate. DLC 5 Listed
- E39, EX39 lamp base options
- New 145 Lumen to Watt LEDs & 360 degree lighting.
- IP64 Waterproof Rating.
- Big heat sink, NO fans, cool running LEDs
- Ultra-Performance Driver with 6KV Surge Protection Built in
- Sealant poured driver and lamp plastic housing.
- Internal driver, input voltage AC100-277V, air gapped from LEDs.
- Sealant pouring for whole driver and lamp housing.
- New style and high efficient wide-range input. Long lifespan and good heat dissipation.
- Direct replacement for Metal Halide or HPS (ballast removal required), easy Installation, Fits many different fixtures



Application

Widely used in high bay, shoeboxes, parking lots, warehouse, garage, offices, wall packs etc, etc

PRODUCT SPECIFICATIONS		
Product name	LED Corn Light Bulb – Aries S Series	
SKUs	E39: 33-447 (3000K) 33-441 (4000K) 33-435 (5000K) 33-429 (5700K)	
Part No	RG-ARIES-S-CLW	RG-ARIES-S-CLW
Lamp Base	E39	EX39
Dimension	Φ123 *270 MM	Φ123*273 MM
Technical Characteristic		
Cover	Clear	
Color temperature	3000K、 3500K、 4000K、 4500K、 5000K、 5700K	
CRI	> 83	
Lumen-In Luminaires	13100-14200 LM	
Lumen Efficacy-In Luminaires	130-145 LM/W (clear)	
Input Power	100 Watt	
Viewing Angle	360 degree	
Input Voltage	AC100-277V 50/60Hz	
Power Factor and THD	>0.92 / <15%	
Equivalent	250W CFL, 320-400W MHL/HPS/HID	
Waterproof Rating	IP64	
MATERIALS		
LED Type	Lumiled /Samsung SMD2835	
LED QTY	300 PCS	
Housing	Aluminum + PC	
Housing color	Silver / White	
OTHERS		
Operating Temperature	-40°C TO 45°C	
Operating Humidity	20%-70% RH	
Storage Temperature	-40°C TO 80°C	
Storage Humidity	10%-75% RH	
Application	Indoor/Outdoor	
Safety Certification	UL、 CUL、 DLC	
Warranty Time	5 Year Rock Solid	



DLC 5.0 Rated

Model# RGL-ARIES-S-CLW-VII-100WECA1-[E;EX]50K

Manufacturer: RuggedGrade
Brand: RuggedGrade
Technical Requirements Version: 5
Date Qualified: 03/05/2020
Product ID: PL2R10CZQXTL

Categorization

Main: Mogul (E39) Screw-Base Replacements for HID Lamps
General Application: High-Bay
Primary Use: Replacement Lamps for High-Bay Luminaires (Type B)
System Type: AC

Classification: standard
Is Parent Product: No
DLC Family Code: MMMSHX
Listing Status: Listed

Reported Data

Zonal Lumens

Spacing Criteria

Product Features

Version History

Family Data

Light Output: 11368.5 lm
Wattage: 94.75 W
Voltage Range: 100 - 277 V
Efficacy (AC): 119.98 lm/W
Power Factor: 0.9
CCT: 5000 K
CRI: 80
Total Harmonic Distortion: 15 %



LIGHT DISTRIBUTION TESTING PARAMETERS

Remark: The testing data comes from the product in luminaires.

Luminaire Property

Luminaire Manufacturer:

Voltage: 120.6 V

Power: 100.50 W

Current: 0.840 A

Power Factor: 0.992

Photometric Results

CIE Class: Semi-Direct

Measurement Flux: 14309.6 lm

Downward Ratio: 62%

Horizontal Diffuse Angle(50%): H262.4

Vertical Diffuse Angle(50%): V262.3

Luminaire Efficacy Rating (LER): 142.43

Max. Intensity: 1734.08 cd

S/MH(C0/C180): 1.97

Total Rated Lamp Lumens: 14309.6 lm

Efficiency: 100%

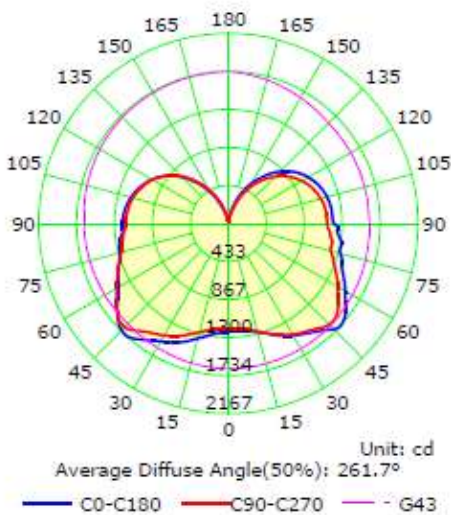
Upward Ratio: 38%

Central Intensity: 1236.08 cd

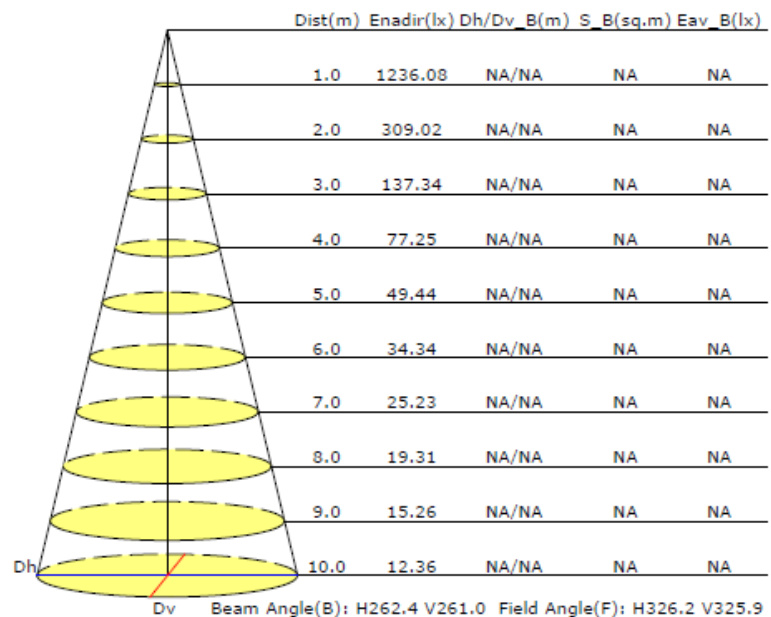
Pos of Max. Intensity: H180 V43

S/MH(C90/C270): 1.97

Luminous Intensity Distribution Curve

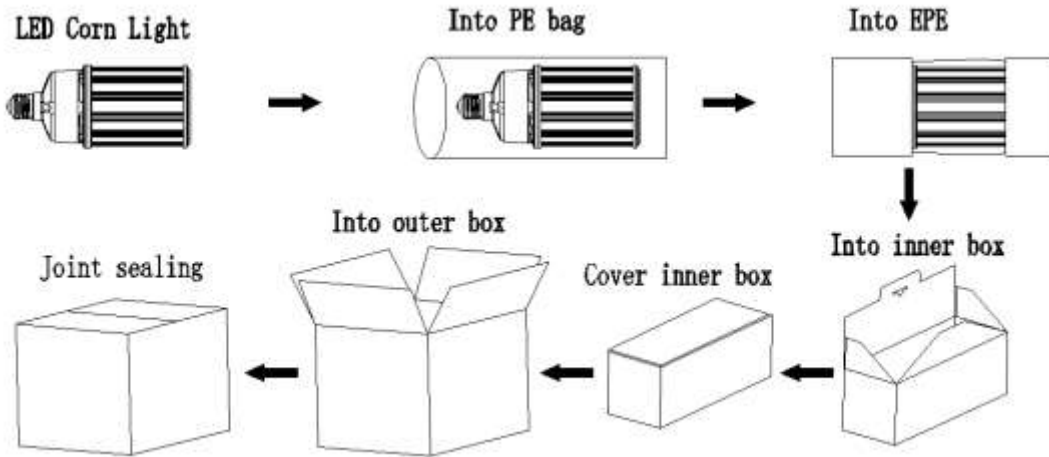


Illuminance at a Distance(Beam Angle)



PACKAGE

	Size	Qty / Carton	Net Weight / Carton	Gross Weight / Carton
Inner box	300*130*130MM	1 PC	1.5 KG	1.66 KG
Outer box	405*275*320MM	6 PCS	9.0 KG	10.80 KG



100 WATT ARIES S SERIES LED CORN LIGHT BULB

10.6in / 270mm



TROUBLE SHOOTING

Troubles	Check points
Flickering of the light	Turn off the power and turn on again in 3 minutes. If same phenomena occur, then call agencies.
Out of working	Please check the connection.